

SECTION MA
MAINTENANCE

A
B
C

CONTENTS

<p>PRECAUTIONS 2</p> <p> Precautions for Supplemental Restraint System (SRS) "AIR BAG" and "SEAT BELT PRE-TENSIONER" 2</p> <p>PREPARATION 3</p> <p> Special Service Tool 3</p> <p> Commercial Service Tool 3</p> <p>GENERAL MAINTENANCE 4</p> <p> Explanation of General Maintenance 4</p> <p>PERIODIC MAINTENANCE 6</p> <p> Introduction of Periodic Maintenance 6</p> <p> Schedule 1 6</p> <p> EMISSION CONTROL SYSTEM MAINTENANCE 6</p> <p> CHASSIS AND BODY MAINTENANCE 7</p> <p> Schedule 2 8</p> <p> EMISSION CONTROL SYSTEM MAINTENANCE 8</p> <p> CHASSIS AND BODY MAINTENANCE 8</p> <p>RECOMMENDED FLUIDS AND LUBRICANTS 9</p> <p> Fluids and Lubricants 9</p> <p> SAE Viscosity Number 10</p> <p> GASOLINE ENGINE OIL 10</p> <p> ANTI-FREEZE COOLANT MIXTURE RATIO ... 10</p> <p>ENGINE MAINTENANCE 11</p> <p> Drive Belts 11</p> <p> CHECKING DRIVE BELTS 11</p> <p> TENSION ADJUSTMENT 12</p> <p> Changing Engine Coolant 14</p> <p> DRAINING ENGINE COOLANT 14</p> <p> REFILLING ENGINE COOLANT 14</p> <p> FLUSHING COOLING SYSTEM 15</p> <p> Checking Fuel Lines 16</p> <p> Changing Air Cleaner Filter 16</p> <p> VISCOUS PAPER TYPE 16</p> <p> Changing Engine Oil 16</p>	<p> Changing Oil Filter 17</p> <p> Changing Spark Plugs (Platinum - Tipped Type) ... 18</p> <p> REMOVAL 18</p> <p> INSPECTION AFTER REMOVAL 18</p> <p> INSTALLATION 19</p> <p> Checking EVAP Vapor Lines 19</p> <p>CHASSIS AND BODY MAINTENANCE 20</p> <p> Changing In-cabin Microfilter 20</p> <p> Checking Exhaust System 20</p> <p> Checking Clutch Fluid Level and Leaks 20</p> <p> Checking M/T Oil 20</p> <p> OIL LEAKAGE AND OIL LEVEL 20</p> <p> Changing M/T Oil 21</p> <p> DRAINING 21</p> <p> FILLING 21</p> <p> Checking A/T Fluid 21</p> <p> Changing A/T Fluid 22</p> <p> Balancing Wheels (Bonding Weight Type) 23</p> <p> REMOVAL 23</p> <p> WHEEL BALANCE ADJUSTMENT 23</p> <p> Tire Rotation 25</p> <p> Checking Brake Fluid Level and Leaks 25</p> <p> Checking Brake Lines and Cables 25</p> <p> Checking Disc Brake 26</p> <p> ROTOR 26</p> <p> CALIPER 26</p> <p> PAD 26</p> <p> Checking Steering Gear and Linkage 27</p> <p> STEERING GEAR 27</p> <p> STEERING LINKAGE 27</p> <p> Checking Power Steering Fluid and Lines 27</p> <p> Axle and Suspension Parts 28</p> <p> Drive Shaft 29</p> <p> Lubricating Locks, Hinges and Hood Latch 30</p> <p> Checking Seat Belts, Buckles, Retractors, Anchors and Adjusters 30</p>
--	--

D
E

F

G

H

I

J

K

MA

M

PRECAUTIONS

PRECAUTIONS

PFP:00001

Precautions for Supplemental Restraint System (SRS) “AIR BAG” and “SEAT BELT PRE-TENSIONER”

ELS0016X

The Supplemental Restraint System such as “AIR BAG” and “SEAT BELT PRE-TENSIONER”, used along with a front seat belt, helps to reduce the risk or severity of injury to the driver and front passenger for certain types of collision. This system includes seat belt switch inputs and dual stage front air bag modules. The SRS system uses the seat belt switches to determine the front air bag deployment, and may only deploy one front air bag, depending on the severity of a collision and whether the front occupants are belted or unbelted. Information necessary to service the system safely is included in the SRS and SB section of this Service Manual.

WARNING:

- To avoid rendering the SRS inoperative, which could increase the risk of personal injury or death in the event of a collision which would result in air bag inflation, all maintenance must be performed by an authorized NISSAN/INFINITI dealer.
- Improper maintenance, including incorrect removal and installation of the SRS, can lead to personal injury caused by unintentional activation of the system. For removal of Spiral Cable and Air Bag Module, see the SRS section.
- Do not use electrical test equipment on any circuit related to the SRS unless instructed to in this Service Manual. SRS wiring harnesses can be identified by yellow and/or orange harnesses or harness connectors.

PREPARATION

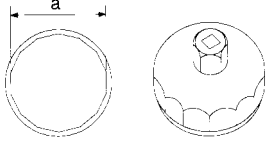
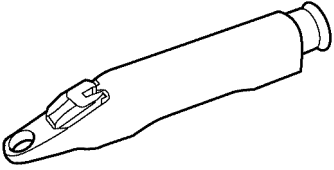
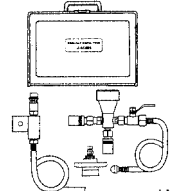
PREPARATION

PFP:00002

Special Service Tool

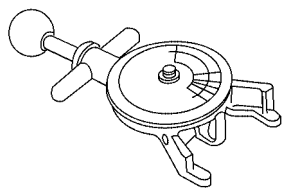
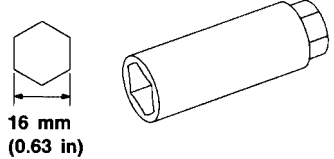
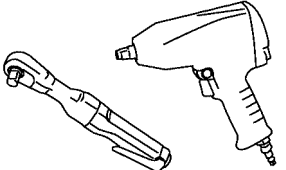
ELS0016Y

The actual shapes of Kent-Moore tools may differ from those of special service tools illustrated here.

Tool number (Kent-Moore No.) Tool name		Description
KV10115801 (J-38956) Oil filter cap wrench	 <p style="text-align: center;">NT375</p>	Removing oil filter a: 64.3 mm (2.531 in)
KV991J0010 (J-23688) Engine coolant refractometer	 <p style="text-align: center;">WBIA0539E</p>	Checking concentration of ethylene glycol in engine coolant
KV991J0070 (J-45695) Coolant Refill Tool	 <p style="text-align: center;">LMA053</p>	For refilling engine cooling system

Commercial Service Tool

ELS0016Z

(Kent-Moore No.) Tool name		Description
(BT-3373-F) Belt tension gauge	 <p style="text-align: center;">AMA126</p>	Checking drive belt tension
Spark plug wrench	 <p style="text-align: center;">16 mm (0.63 in)</p> <p style="text-align: center;">S-NT047</p>	Removing and installing spark plugs
Power Tool	 <p style="text-align: center;">PBIC0190E</p>	Loosening bolts and nuts

GENERAL MAINTENANCE

GENERAL MAINTENANCE

PFP:00000

Explanation of General Maintenance

EL500170

General maintenance includes those items which should be checked during the normal day-to-day operation of the vehicle. They are essential if the vehicle is to continue operating properly. The owners can perform checks and inspections themselves or have their NISSAN dealers do them.

OUTSIDE THE VEHICLE

The maintenance items listed here should be performed from time to time, unless otherwise specified.

Item		Reference page
Tires	Check the pressure including the spare, at least once a month and always prior to a long distance trip with a gauge. Adjust to the specified pressure if necessary. Check carefully for damage, cuts or excessive wear.	WT-6, "Tire"
Wheel nuts	When checking the tires, make sure no nuts are missing, and check for any loose nuts. Tighten if necessary.	WT-5, "Rotation"
Windshield	Clean the windshield on a regular basis. Check windshield at least every six months for cracks or other damage. Repair as necessary.	GW-12, "Removal and Installation"
Tire rotation	Tires should be rotated every 12,000 km (7,500 miles).	MA-25, "Tire Rotation"
Wheel alignment and balance	If the vehicle pulls to either side while driving on a straight and level road, or if you detect uneven or abnormal tire wear, there may be a need for wheel alignment. If the steering wheel or seat vibrates at normal highway speeds, wheel balancing may be needed.	FSU-6, "Front Wheel Alignment" , MA-23, "Balancing Wheels (Bonding Weight Type)"
Windshield wiper blades	Check for cracks or wear if they do not wipe properly. Repair as necessary.	—
Doors and engine hood	Check that all doors and the engine hood operate smoothly as well as the trunk lid and back hatch. Also make sure that all latches lock securely. Lubricate if necessary. Make sure that the secondary latch keeps the hood from opening when the primary latch is released. When driving in areas using road salt or other corrosive materials, check lubrication frequently.	MA-30, "Lubricating Locks, Hinges and Hood Latch"
Lamps	Make sure that the headlamps, stop lamps, tail lamps, turn signal lamps, and other lamps are all operating properly and installed securely. Also check headlamp aim. Clean the headlamps on a regular basis.	LT-39, "Aiming Adjustment" (US) , LT-59, "Aiming Adjustment" (Canada)

INSIDE THE VEHICLE

The maintenance items listed here should be checked on a regular basis, such as when performing periodic maintenance, cleaning the vehicle, etc.

Item		Reference page
Warning lamps and chimes	Make sure that all warning lamps and chimes are operating properly.	—
Windshield wiper and washer	Check that the wipers and washer operate properly and that the wipers do not streak.	—
Windshield defroster	Check that the air comes out of the defroster outlets properly and in sufficient quantity when operating the heater or air conditioner.	—
Steering wheel	Check that it has the specified play. Be sure to check for changes in the steering condition, such as excessive play, hard steering or strange noises.	PS-8, "STEERING WHEEL"
Seats	Check seat position controls such as seat adjusters, seatback recliner, etc. to make sure they operate smoothly and that all latches lock securely in every position. Check that the head restraints move up and down smoothly and that the locks (if equipped) hold securely in all latched positions. Check that the latches lock securely for folding-down rear seatbacks.	—
Seat belts	Check that all parts of the seat belt system (e.g. buckles, anchors, adjusters and retractors) operate properly and smoothly, and are installed securely. Check the belt webbing for cuts, fraying, wear or damage.	MA-30, "Checking Seat Belts, Buckles, Retractors, Anchors and Adjusters"
Clutch pedal	Make sure the pedal operates smoothly and check that it has proper clearance.	CL-6, "On-vehicle Inspection and Adjustment"

GENERAL MAINTENANCE

Item		Reference page
Accelerator pedal	Check the pedal for smooth operation and make sure the pedal does not catch or require uneven effort. Keep the floor mats away from the pedal.	—
Brakes	Check that the brake does not pull the vehicle to one side when applied.	BR-23, "FRONT DISC BRAKE"
Brake pedal and booster	Check the pedal for smooth operation and make sure it has the proper distance under it when depressed fully. Check the brake booster function. Be sure to keep the floor mats away from the pedal.	BR-6, "BRAKE PEDAL", BR-18, "BRAKE BOOSTER"
Parking brake	Check that the lever has the proper travel and make sure that the vehicle is held securely on a fairly steep hill when only the parking brake is applied.	PB-3, "Inspection"
Automatic transaxle "Park" mechanism	Check that the lock release button on the selector lever operates properly and smoothly. On a fairly steep hill check that the vehicle is held securely with the selector lever in the "P" position without applying any brakes.	—

UNDER THE HOOD AND VEHICLE

The maintenance items listed here should be checked periodically (e.g. each time you check the engine oil or refuel).

Item		Reference page
Windshield washer fluid	Check that there is adequate fluid in the tank.	—
Engine coolant level	Check the coolant level when the engine is cold.	MA-14, "REFILLING ENGINE COOLANT"
Radiator and hoses	Check the front of the radiator and clean off any dirt, insects, leaves, etc., that may have accumulated. Make sure the hoses have no cracks, deformation, deterioration or loose connections.	—
Brake and clutch fluid levels	Make sure that the brake and clutch fluid levels are between the "MAX" and "MIN" lines on the reservoirs.	MA-25, "Checking Brake Fluid Level and Leaks", MA-20, "Checking Clutch Fluid Level and Leaks"
Battery	Check the fluid level in each cell. It should be between the "MAX" and "MIN" lines. Vehicles operated in high temperatures or under severe conditions require frequent checks of the battery fluid level.	SC-4, "CHECKING ELECTROLYTE LEVEL"
Engine drive belts	Make sure that no belt is frayed, worn, cracked or oily.	MA-11, "CHECKING DRIVE BELTS"
Engine oil level	Check the level on the dipstick after parking the vehicle on a level spot and turning off the engine.	MA-16, "Changing Engine Oil"
Power steering fluid level and lines	Check the level on the dipstick with the engine off. Check the lines for improper attachment, leaks, cracks, etc.	MA-27, "Checking Power Steering Fluid and Lines"
Automatic transaxle fluid level	Check the level on the dipstick after putting the selector lever in "P" (PARK) with the engine idling.	MA-21, "Checking A/T Fluid"
Exhaust system	Make sure there are no loose supports, cracks or holes. If the sound of the exhaust seems unusual or there is a smell of exhaust fumes, immediately locate the trouble and correct it.	MA-20, "Checking Exhaust System"
Underbody	The underbody is frequently exposed to corrosive substances such as those used on icy roads or to control dust. It is very important to remove these substances, otherwise rust will form on the floor pan, frame, fuel lines and around the exhaust system. At the end of winter, the underbody should be thoroughly flushed with plain water, being careful to clean those areas where mud and dirt can easily accumulate.	—
Fluid leaks	Check under the vehicle for fuel, oil, water or other fluid leaks after the vehicle has been parked for a while. Water dripping from the air conditioner after use is normal. If you should notice any leaks or gasoline fumes are evident, check for the cause and correct it immediately.	—

PERIODIC MAINTENANCE

PERIODIC MAINTENANCE

PFP:00026

Introduction of Periodic Maintenance

ELS00171

Two different maintenance schedules are provided, and should be used, depending upon the conditions in which the vehicle is mainly operated. After 60,000 miles (96,000 km) or 48 months, continue the periodic maintenance at the same mileage/time intervals.

Schedule 1	Follow Periodic Maintenance Schedule 1 if the driving habits frequently include one or more of the following driving conditions: <ul style="list-style-type: none"> ● Repeated short trips of less than 5 miles (8 km). ● Repeated short trips of less than 10 miles (16 km) with outside temperatures remaining below freezing. ● Operating in hot weather in stop-and-go "rush hour" traffic. ● Extensive idling and/or low speed driving for long distances, such as police, taxi or door-to-door delivery use. ● Driving in dusty conditions. ● Driving on rough, muddy, or salt spread roads. ● Towing a trailer, using a car-top carrier. 	Emission Control System Maintenance	MA-6
		Chassis and Body Maintenance	MA-7
Schedule 2	Follow Periodic Maintenance Schedule 2 if none of driving conditions shown in Schedule 1 apply to the driving habits.	Emission Control System Maintenance	MA-8
		Chassis and Body Maintenance	MA-8

Schedule 1 EMISSION CONTROL SYSTEM MAINTENANCE

ELS00172

Abbreviations: R = Replace. I = Inspect. Correct or replace if necessary. []: At the mileage intervals only

MAINTENANCE OPERATION		MAINTENANCE INTERVAL								Reference Section - Page or - Content Title
Perform at number of miles, kilometers or months, whichever comes first.	Miles x 1,000 (km x 1,000) Months	3.75 (6)	7.50 (12)	11.25 (18)	15 (24)	18.75 (30)	22.5 (36)	26.25 (42)	30 (48)	
Drive belts	NOTE (1)									MA-11
Air cleaner filter	NOTE (2)								[R]	MA-16
EVAP vapor lines									I*	MA-19
Fuel lines									I*	MA-16
Fuel filter	NOTE (3)									—
Engine coolant	NOTE (4)									MA-14
Engine oil		R	R	R	R	R	R	R	R	MA-16
Engine oil filter (Use part No. 15208 65F01 or equivalent.)		R	R	R	R	R	R	R	R	MA-17
Spark plugs (PLATINUM-TIPPED type)		Replace every 105,000 miles (169,000 km).								MA-18
Intake & exhaust valve clearance*	NOTE (5)									EM-93

MAINTENANCE OPERATION		MAINTENANCE INTERVAL								Reference Section - Page or - Content Title
Perform at number of miles, kilometers or months, whichever comes first.	Miles x 1,000 (km x 1,000) Months	33.75 (54)	37.5 (60)	41.25 (66)	45 (72)	48.75 (78)	52.5 (84)	56.25 (90)	60 (96)	
Drive belts	NOTE (1)								I*	MA-11
Air cleaner filter	NOTE (2)								[R]	MA-16
EVAP vapor lines									I*	MA-19
Fuel lines									I*	MA-16
Fuel filter	NOTE (3)									-
Engine coolant	NOTE (4)								R*	MA-14

PERIODIC MAINTENANCE

MAINTENANCE OPERATION		MAINTENANCE INTERVAL								Reference Section - Page or - Content Title
Perform at number of miles, kilometers or months, whichever comes first.	Miles x 1,000 (km x 1,000) Months	33.75 (54) 27	37.5 (60) 30	41.25 (66) 33	45 (72) 36	48.75 (78) 39	52.5 (84) 42	56.25 (90) 45	60 (96) 48	
Engine oil		R	R	R	R	R	R	R	R	MA-16
Engine oil filter 15208 65F01 or equivalent.		R	R	R	R	R	R	R	R	MA-17
Spark plugs (PLATINUM-TIPPED type)		Replace every 105,000 miles (169,000 km).								MA-18
Intake & exhaust valve clearance*	NOTE (5)									EM-93

(1) After 60,000 miles (96,000 km) or 48 months, inspect every 15,000 miles (24,000 km) or 12 months. Replace the drive belts if found damaged.

(2) If operating mainly in dusty conditions, more frequent maintenance may be required.

(3) Maintenance-free item. For service procedures, go to the FL section.

(4) After 60,000 miles (96,000 km) or 48 months, replace every 30,000 miles (48,000 km) or 24 months.

(5) If valve noise increases, inspect valve clearance.

* Maintenance items and intervals with "*" are recommended by NISSAN for reliable vehicle operation. The owner need not perform such maintenance in order to maintain the emission warranty or manufacturer recall liability. Other maintenance items and intervals are required.

CHASSIS AND BODY MAINTENANCE

Abbreviations: R = Replace. I = Inspect. Correct or replace if necessary.

MAINTENANCE OPERATION		MAINTENANCE INTERVAL								Reference Section - Page or - Content Title
Perform at number of miles, kilometers or months, whichever comes first.	Miles x 1,000 (km x 1,000) Months	3.75 (6) 3	7.50 (12) 6	11.25 (18) 9	15 (24) 12	18.75 (30) 15	22.5 (36) 18	26.25 (42) 21	30 (48) 24	
Brake lines & cables					I				I	MA-25
Brake pads & rotors			I		I		I		I	MA-26
Automatic transaxle fluid & manual transaxle gear oil	NOTE (1)				I				I	MA-22 (A/T) or MA-21 (M/T)
Steering gear & linkage, axle & suspension parts			I		I		I		I	MA-27 , MA-28
Tire rotation	NOTE (2)									MA-25
Exhaust system			I		I		I		I	MA-20
Front drive shaft boot			I		I		I		I	MA-29
In-cabin microfilter					R				R	ATC-110

MAINTENANCE OPERATION		MAINTENANCE INTERVAL								Reference Section - Page or - Content Title
Perform at number of miles, kilometers or months, whichever comes first.	Miles x 1,000 (km x 1,000) Months	33.75 (54) 27	37.5 (60) 30	41.25 (66) 33	45 (72) 36	48.75 (78) 39	52.5 (84) 42	56.25 (90) 45	60 (96) 48	
Brake lines & cables					I				I	MA-25
Brake pads & rotors			I		I		I		I	MA-26
Automatic transaxle fluid & manual transaxle gear oil	NOTE (1)				I				I	MA-22 (A/T) or MA-21 (M/T)
Steering gear & linkage, axle & suspension parts			I		I		I		I	MA-27 , MA-28
Tire rotation	NOTE (2)									MA-25
Exhaust system			I		I		I		I	MA-20
Front drive shaft boots			I		I		I		I	MA-29
In-cabin microfilter					R				R	ATC-110

PERIODIC MAINTENANCE

(1) If towing a trailer, using a car-top carrier, or driving on rough or muddy roads, change (not just inspect) oil at every 30,000 miles (48,000 km) or 24 months. Using automatic transmission fluid other than Genuine NISSAN Matic K ATF will cause deterioration in driveability and automatic transmission durability, and may damage the automatic transmission, which is not covered by the NISSAN new vehicle limited warranty.

(2) Refer to [MA-4, "GENERAL MAINTENANCE"](#).

Schedule 2 EMISSION CONTROL SYSTEM MAINTENANCE

ELS00173

Abbreviations: R = Replace. I = Inspect. Correct or replace if necessary. []: At the mileage intervals only

MAINTENANCE OPERATION		MAINTENANCE INTERVAL								Reference Section - Page or - Content Title
Perform at number of miles, kilometers or months, whichever comes first.	Miles x 1,000 (km x 1,000) Months	7.5 (12) 6	15 (24) 12	22.5 (36) 18	30 (48) 24	37.5 (60) 30	45 (72) 36	52.5 (84) 42	60 (96) 48	
Drive belts	NOTE (1)								I*	MA-11
Air cleaner filter					[R]				[R]	MA-16
EVAP vapor lines					I*				I*	MA-19
Fuel lines					I*				I*	MA-16
Fuel filter	NOTE (2)									-
Engine coolant	NOTE (3)								R*	MA-14
Engine oil		R	R	R	R	R	R	R	R	MA-16
Engine oil filter (Use part No. 15208 65F01 or equivalent.		R	R	R	R	R	R	R	R	MA-17
Spark plugs (PLATINUM-TIPPED type)		Replace every 105,000 miles (169,000 km).								MA-18
Intake & exhaust valve clearance*	NOTE (4)									EM-93

(1) After 60,000 miles (96,000 km) or 48 months, inspect every 15,000 miles (24,000 km) or 12 months. Replace the drive belts if found damaged.

(2) Maintenance-free item. For service procedures, go to FL section.

(3) After 60,000 miles (96,000 km) or 48 months, replace every 30,000 miles (48,000 km) or 24 months.

(4) If valve noise increases, inspect valve clearance.

* Maintenance items and intervals with "*" are recommended by NISSAN for reliable vehicle operation. The owner need not perform such maintenance in order to maintain the emission warranty or manufacturer recall liability. Other maintenance items and intervals are required.

CHASSIS AND BODY MAINTENANCE

Abbreviations: R = Replace. I = Inspect. Correct or replace if necessary.

MAINTENANCE OPERATION		MAINTENANCE INTERVAL								Reference Section - Page or - Content Title
Perform at number of miles, kilometers or months, whichever comes first.	Miles x 1,000 (km x 1,000) Months	7.5 (12) 6	15 (24) 12	22.5 (36) 18	30 (48) 24	37.5 (60) 30	45 (72) 36	52.5 (84) 42	60 (96) 48	
Brake lines & cables			I		I		I		I	MA-25
Brake pads & rotors			I		I		I		I	MA-26
Automatic transaxle fluid & manual transaxle gear oil	NOTE (1)		I		I		I		I	MA-21 (A/T) or MA-20 (M/T)
Steering gear & linkage, axle & suspension parts					I				I	MA-27, MA-28
Tire rotation	NOTE (2)									MA-25
Exhaust system					I				I	MA-20
Front drive shaft boots			I		I		I		I	MA-29
In-cabin microfilter			R		R		R		R	ATC-110

(1) Using automatic transmission fluid other than Genuine NISSAN Matic K ATF will cause deterioration in driveability and automatic transmission durability, and may damage the automatic transmission, which is not covered by the NISSAN new vehicle limited warranty.

(2) Refer to [MA-4, "GENERAL MAINTENANCE"](#)

RECOMMENDED FLUIDS AND LUBRICANTS

RECOMMENDED FLUIDS AND LUBRICANTS

PF0:0000

Fluids and Lubricants

ELS00174

Description		Capacity (approximate)			Recommended Fluids and Lubricants
		Liter	US measure	Imp measure	
Fuel		75.6	20 gal	16 5/8 gal	Unleaded gasoline with an octane rating of at least 87 AKI (RON 91) *1
Engine oil Drain and refill	With oil filter change	4.2	4 1/2 qt	3 3/4 qt	<ul style="list-style-type: none"> ● API Certification Mark *2 ● API grade SL, Energy Conserving *2 ● ILSAC grade GF-III *2
	Without oil filter change	4.0	4 1/4 qt	3 1/2 qt	
Dry engine (engine overhaul)		4.6	4 7/8 qt	4 qt	
Cooling system	With reservoir at MAX level	8.5	2 1/4 gal	1 7/8 gal	Genuine NISSAN Long Life Anti-freeze Coolant or equivalent
Manual transaxle fluid (MTF)		2.2	2 3/8 qt	2 qt	Genuine NISSAN Manual Transmission Fluid (MTF) HQ Multi 75W-85
Transaxle fluid (ATF)	5 A/T	7.3	7 3/4 qt	6 3/8 qt	Genuine NISSAN Matic "K" ATF *3
Power steering fluid (PSF)		1.0	2 1/8 pt	1 3/4 pt	Genuine NISSAN PSF or equivalent *4
Brake and clutch fluids		—	—	—	Genuine NISSAN Super Heavy Duty Brake Fluid *5 or equivalent DOT 3 (US FMVSS No. 116)
Multi-purpose grease		—	—	—	NLGI No. 2 (Lithium soap base)
Windshield washer fluid		—	—	—	Genuine NISSAN Windshield Washer Concentrate Cleaner & Anti-freeze or equivalent
Air conditioning system refrigerant		0.55 ± 0.025 kg	1.21 ± 0.055 lb	1.21 ± 0.055 lb	HFC-134a (R-134a) *6
Air conditioning system lubricant		150 m ℓ	5.03 fl oz	5.3 fl oz	Genuine NISSAN A/C System Lubricant Type S (DH-PS) or equivalent *6

*1: For improved performance, use unleaded premium gasoline with an octane rating of at least 91 AKI (RON 96).

*2: For further details, see "SAE Viscosity Number".

***3: Using automatic transmission fluid other than Genuine NISSAN Matic K ATF will cause deterioration in driveability and automatic transmission durability, and may damage the automatic transmission, which is not covered by the NISSAN new vehicle limited warranty.**

*4: For Canada, NISSAN Automatic Transmission Fluid (ATF), DEXRON™ III / MERCON™ or equivalent ATF may also be used.

*5: Available in mainland U.S.A. through your NISSAN dealer.

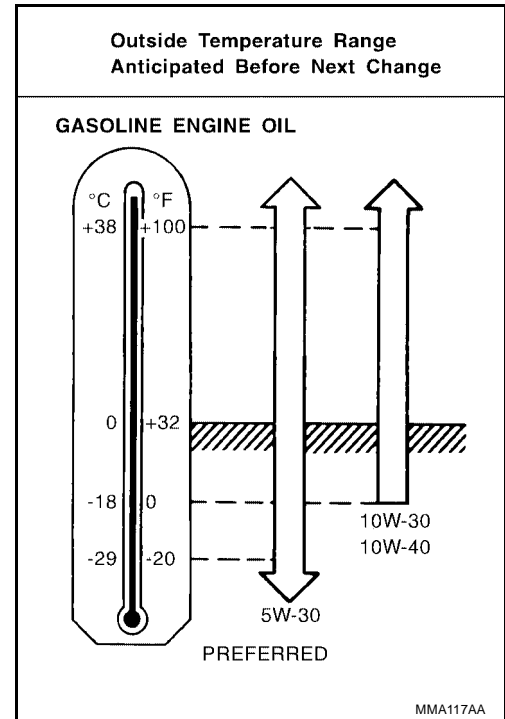
*6: For further details, see "Air conditioner specification label".

RECOMMENDED FLUIDS AND LUBRICANTS

ELS00175

SAE Viscosity Number GASOLINE ENGINE OIL

- SAE 5W-30 viscosity oil is preferred for all temperatures. SAE 10W-30 and 10W-40 viscosity oil may be used if the ambient temperature is above -18°C (0°F).
- Use of 5W-30 viscosity oil will increase fuel economy.



ANTI-FREEZE COOLANT MIXTURE RATIO

The engine cooling system is filled at the factory with a high-quality, long life, year-round, anti-freeze coolant solution. The anti-freeze solution contains rust and corrosion inhibitors. Therefore, additional cooling system additives are not necessary.

Protection for outside temperatures down to		Genuine NISSAN Long life Anti-freeze Coolant	Demineralized water or dis- tilled water
°C	°F		
-35	-30	50%	50%

CAUTION:

- When adding or replacing coolant, be sure to use only Genuine NISSAN anti-freeze coolant or equivalent with the proper mixture ratio of 50% anti-freeze and 50% demineralized water or distilled water.
- Other types of coolant solutions may damage your cooling system.

ENGINE MAINTENANCE

ENGINE MAINTENANCE

PFP:00000

Drive Belts

CHECKING DRIVE BELTS

ELS00176

WARNING:

Be sure to perform when the engine is not running.

1. Inspect belt for cracks, fraying, wear or oil adhesion. If necessary, replace with a new one.
2. Inspect drive belt deflections by applying 98N (10kg, 22lb) on the belt midway between pulleys as shown.
3. Measure the belt tension using Tool at the locations shown.

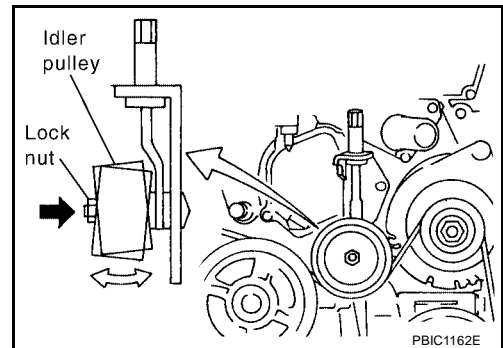
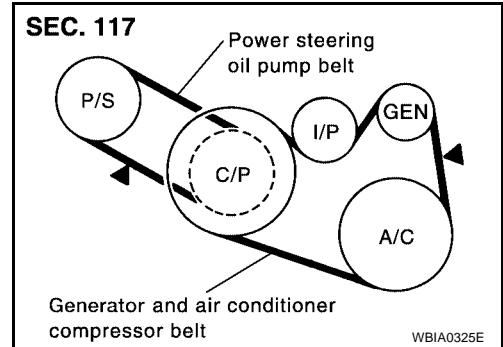
Tool number : BT-3373-F

NOTE:

- Inspect drive belt deflection or tension when engine is cold.
- Adjust if belt deflections exceed the limit or if belt tension is not within specifications.

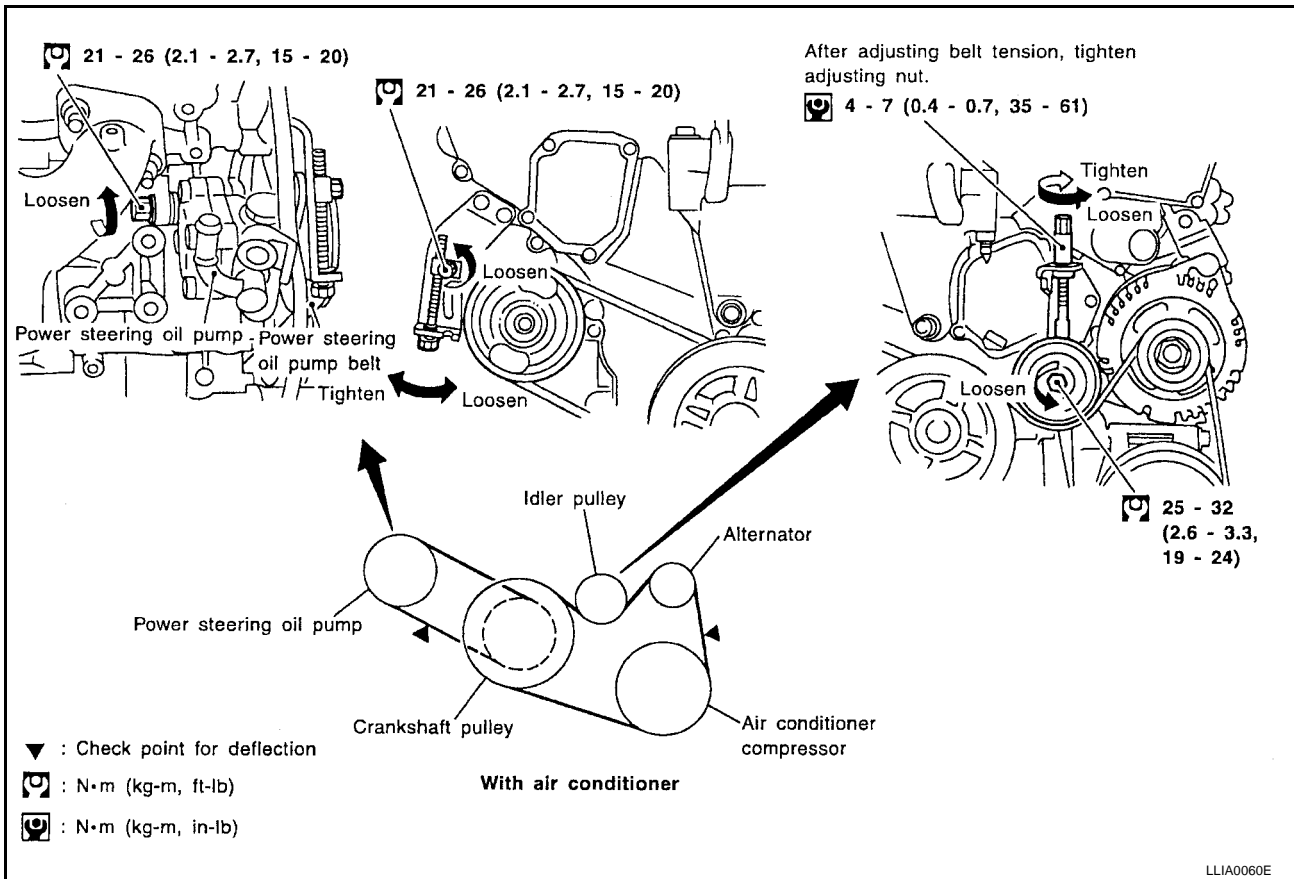
CAUTION:

- When checking belt deflection or tension immediately after installation, first adjust it to the specification value. Then, after turning the crankshaft two turns or more, readjust to the specified value to avoid variation in deflection between pulleys.
- Tighten idler pulley lock nut by hand and measure deflection or tension without looseness.



A
B
C
D
E
F
G
H
I
J
K
MA
M

ENGINE MAINTENANCE



Belt Deflection and Tension

	Deflection adjustment		Unit: mm (in)	Tension adjustment*		Unit: N (kg-f, lb-f)
	Used belt			Used belt		
	Limit	After adjustment	New belt	Limit	After adjustment	New belt
Generator and air conditioning compressor	7 (0.28)	4.2 - 4.6 (0.17 - 0.18)	3.7 - 4.1 (0.15 - 0.16)	294 (30, 66)	730 - 818 (74.5 - 83.5, 164 - 184)	838 - 926 (85.5 - 94.5, 188 - 208)
Power steering pump	11 (0.43)	7.3 - 8.0 (0.29 - 0.30)	6.5 - 7.2 (0.26 - 0.28)	196 (20, 44)	495 - 583 (50.5 - 59.5, 111 - 131)	603 - 691 (61.5 - 70.5, 135.6 - 155.4)
Applied pushing force	98 N (10 kg-f, 22 lb-f)			—		

*: If belt tension gauge cannot be installed at check points shown, check drive belt tension at different location on the belt.

TENSION ADJUSTMENT

Portion	Belt tightening method for adjustment
Power steering oil pump belt	Adjusting bolt on idler pulley
Generator and air conditioner compressor belt	Adjusting bolt on idler pulley

CAUTION:

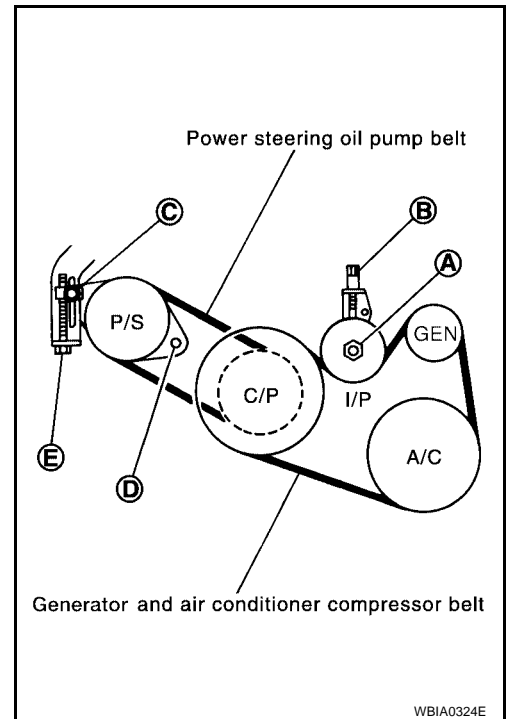
- When belt is replaced with a new one, adjust it to value for "New belt" to accommodate for insufficient adaptability with pulley grooves.
- When deflection or tension of belt being used exceeds "Used belt limit" adjust it to value for "Used belt".
- When checking belt deflection or tension immediately after installation, first adjust it to the specification value. Then, after turning the crankshaft two turns or more, readjust to the specified value to avoid variation in deflection between pulleys.
- When installing belt, make sure that it is correctly engaged with pulley groove.

ENGINE MAINTENANCE

- Keep oil and water away from belt.
- Do not twist or bend belt excessively.

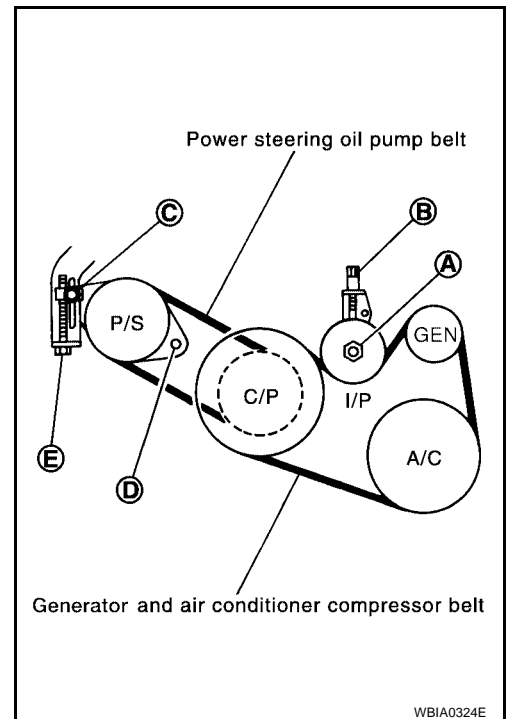
Generator and air conditioner compressor belt

1. Remove engine undercover.
2. Loosen idler pulley lock nut "A" and adjust by turning adjusting bolt "B".
 - For specified belt tension, refer to [MA-11, "Drive Belts"](#) .
3. Tighten lock nut "A" to specification.
4. Tighten adjusting bolt "B" to specification.



Power steering oil pump belt

1. Remove engine undercover.
2. Loosen adjusting bolt "C".
3. Loosen power steering oil pump bolt "D".
NOTE:
Bolt head "D" is at the engine rear side.
4. Adjust by turning the adjusting bolt "E".
 - For specified belt tension, refer to [MA-11, "Drive Belts"](#) .
NOTE:
Adjusting bolt "E" is loosened with counterclockwise rotation.
5. Tighten adjusting bolt "C" to specification.
6. Tighten power steering oil pump bolt "D" to specification.



ENGINE MAINTENANCE

ELS00177

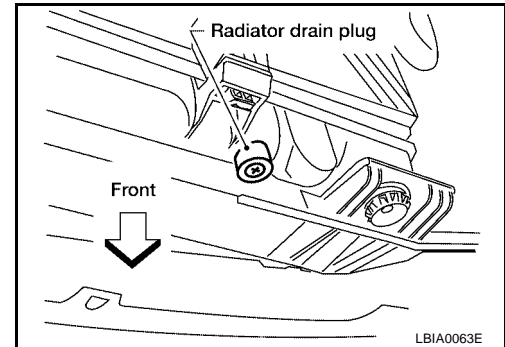
Changing Engine Coolant

WARNING:

- To avoid being scalded, never change the coolant when the engine is hot.
- Wrap a thick cloth around cap and carefully remove the cap. First, turn the cap a quarter of a turn to release built-up pressure. Then turn the cap all the way.

DRAINING ENGINE COOLANT

1. Remove engine undercover.
2. Open radiator drain plug at the bottom of radiator and remove the radiator filler cap. This is the only step required for a partial cooling system drain.
3. For a complete cooling system drain, remove the reservoir tank and drain the coolant, and then clean the reservoir tank before installation.
 - Do not allow coolant to spill on the drive belts.
4. When performing a complete cooling system drain (to remove the engine or for engine repair), remove the water drain plug (water pump side) and the water drain plug.
5. Check the drained coolant for contaminants such as rust, corrosion or discoloration.
 - If contaminated, flush the engine cooling system. Refer to [MA-15, "FLUSHING COOLING SYSTEM"](#).



REFILLING ENGINE COOLANT

1. Install the radiator drain plug. If the cooling system was drained completely, install the reservoir tank and the water drain plugs.
 - The radiator must be completely empty of coolant and water.
 - Apply sealant to the threads of the water drain plugs. Use Genuine High Performance Thread Sealant or equivalent. Refer to [GI-43, "RECOMMENDED CHEMICAL PRODUCTS AND SEALANTS"](#).

Radiator drain plug	: 7.8 - 11.8 N·m (0.8 - 1.2 kg-m , 69 - 104 in-lb)
Water drain plug (water pump side)	: 8 - 12 N·m (0.8 - 1.2 kg-m, 69 - 104 in-lb)
Water drain plug	: 24.5 - 29.4 N·m (2.5 - 2.9 kg-m, 18 - 21 ft-lb)
2. If disconnected, reattach the upper radiator hose at the engine side.
3. Set the vehicle heater controls to the full HOT and heater ON position. Turn the vehicle ignition ON with the engine OFF as necessary to activate the heater mode.

ENGINE MAINTENANCE

4. Install the Tool by installing the radiator cap adapter onto the radiator neck opening. Then attach the gauge body assembly with the refill tube and the venturi assembly to the radiator cap adapter.

Tool number : KV991J0070 (J-45695)

5. Insert the refill hose into the coolant mixture container that is placed at floor level. Make sure the ball valve is in the closed position.

- Use Genuine NISSAN Long Life Anti-Freeze Coolant or equivalent, mixed 50/50 with distilled water or demineralized water. Refer to [MA-10, "ANTI-FREEZE COOLANT MIXTURE RATIO"](#).

Engine coolant capacity (with reservoir at MAX level) : Refer to MA-9, "Fluids and Lubricants".

6. Install an air hose to the venturi assembly, the air pressure must be within specification.

Compressed air supply pressure : 5.7 - 8.5 kPa (5.6 - 8.4 kg/cm², 80 - 120 psi)

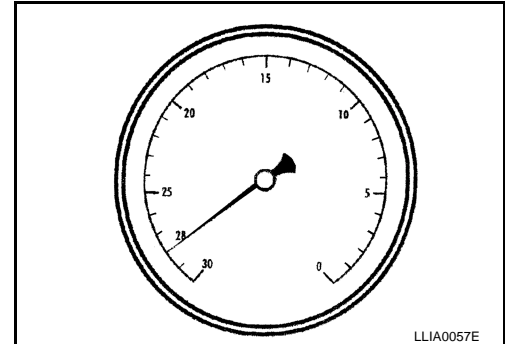
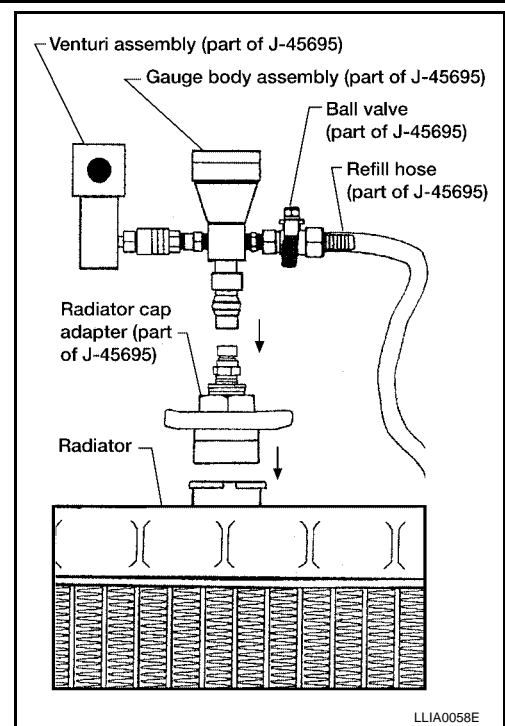
CAUTION:

The compressed air supply must be equipped with an air dryer.

7. The vacuum gauge will begin to rise and there will be an audible hissing noise. During this process open the ball valve on the refill hose slightly. Coolant will be visible rising in the refill hose. Once the refill hose is full of coolant, close the ball valve. This will purge any air trapped in the refill hose.

8. Continue to draw the vacuum until the gauge reaches 28 inches of vacuum. The gauge may not reach 28 inches in high altitude locations, refer to the vacuum specifications based on the altitude above sea level.

Altitude above sea level	Vacuum gauge reading
0 - 100 m (328 ft)	: 28 inches of vacuum
300 m (984 ft)	: 27 inches of vacuum
500 m (1,641 ft)	: 26 inches of vacuum
1,000 m (3,281 ft)	: 24 - 25 inches of vacuum



9. When the vacuum gauge has reached the specified amount, disconnect the air hose and wait 20 seconds to see if the system loses any vacuum. If the vacuum level drops, perform any necessary repairs to the system and repeat steps 6 - 8 to bring the vacuum to the specified amount. Recheck for any leaks.
10. Place the coolant container (with the refill hose inserted) at the same level as the top of the radiator. Then open the ball valve on the refill hose so the coolant will be drawn up to fill the cooling system. The cooling system is full when the vacuum gauge reads zero.

CAUTION:

Do not allow the coolant container to get too low when filling, to avoid air from being drawn into the cooling system.

11. Remove the Tool from the radiator neck opening.
12. Fill the cooling system to the specified level and install the radiator cap. Run the engine to warm up the cooling system and top up the system as necessary.

FLUSHING COOLING SYSTEM

1. Fill the radiator from the filler neck above the radiator upper hose and reservoir tank with clean water and reinstall radiator filler cap.
2. Run the engine and warm it up to normal operating temperature.
3. Rev the engine two or three times under no-load.

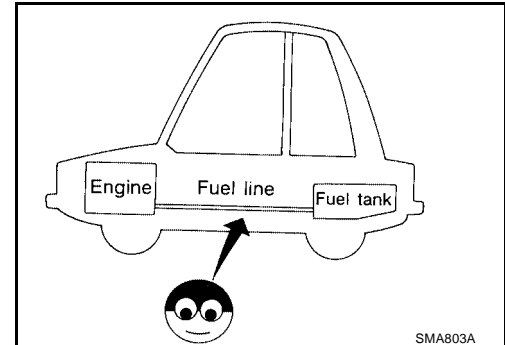
ENGINE MAINTENANCE

4. Stop the engine and wait until it cools down.
5. Drain the water from the system. Refer to [MA-14, "DRAINING ENGINE COOLANT"](#) .
6. Repeat steps 1 through 5 until clear water begins to drain from the radiator.

Checking Fuel Lines

ELS00178

Inspect the fuel lines and fuel tank for improper hose attachment, leaks, cracks, damage, loose connections, chafing, or deterioration. If necessary, repair or replace faulty parts.



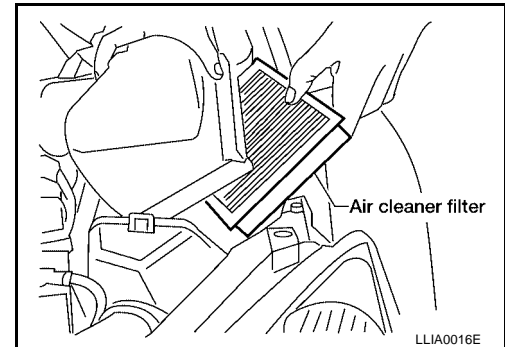
Changing Air Cleaner Filter VISCIOUS PAPER TYPE

ELS00179

NOTE:

The viscous paper type filter does not need cleaning between replacement intervals. Refer to [MA-6, "PERIODIC MAINTENANCE"](#) .

1. Disconnect the tube clamp at the electric throttle control actuator and mass air flow sensor.
2. Separate the mass air flow sensor from the air cleaner to electric throttle control actuator tube.
3. Unhook the air cleaner case side clips and remove the air cleaner case (upper).
4. Remove the air cleaner filter.
5. Install a new air cleaner filter.
6. Installation of remaining components is in the reverse order of removal.



Changing Engine Oil

ELS0017A

WARNING:

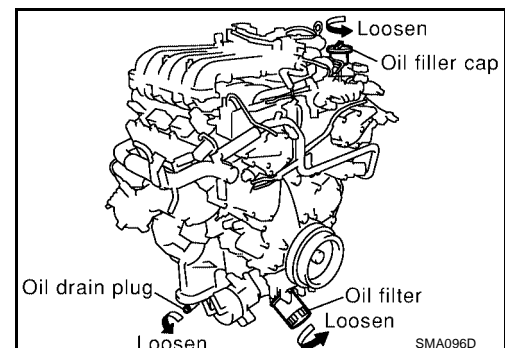
- Be careful not to burn yourself, as the engine oil is hot.
- Prolonged and repeated contact with used engine oil may cause skin cancer; try to avoid direct skin contact with used oil. If skin contact is made, wash thoroughly with soap or hand cleaner as soon as possible.

1. Position the vehicle so it is level on the hoist.
2. Warm up the engine, and check for oil leaks from the engine.
3. Stop the engine and wait at least 10 minutes.
4. Remove the oil drain plug and oil filler cap.
5. Drain the engine oil.
6. Install the oil drain plug.

CAUTION:

- Clean the drain plug and use a new washer for installation.

Oil pan drain plug : 29 - 39 N·m (3.0 - 4.0 kg·m,
22 - 29 ft·lb)

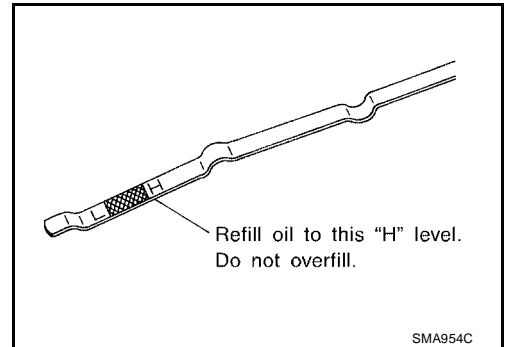


ENGINE MAINTENANCE

7. Refill the engine with new engine oil. Refer to [MA-9, "RECOMMENDED FLUIDS AND LUBRICANTS"](#) .

CAUTION:

- The refill oil capacity depends on the oil temperature and drain time. Use these specifications for reference only.
 - Always use the dipstick to determine when the proper amount of oil is in the engine.
8. Start the engine and run it at idle to warm up, then check the oil drain plug and oil filter for oil leaks.
9. Stop the engine and wait at least 10 minutes.
10. Check the engine oil level using the dipstick as shown. Refer to [LU-7, "OIL LEVEL"](#) .



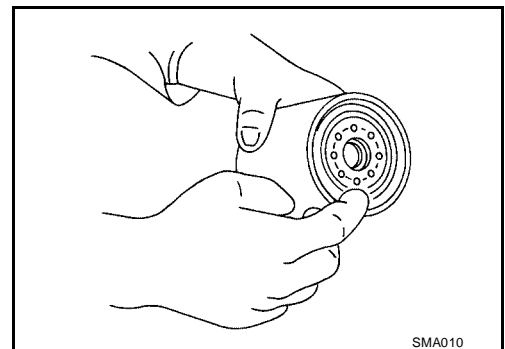
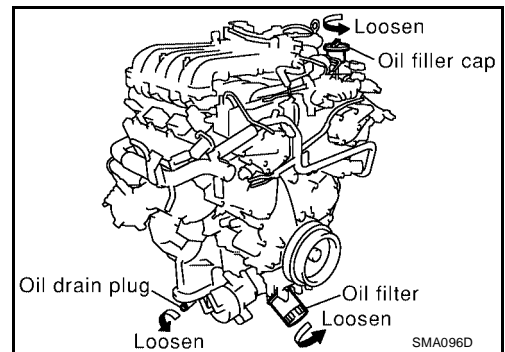
Changing Oil Filter

1. Remove the splash shield using power tool.
2. Remove the oil filter using Tool.

Tool number : KV10115801 (J-38956)

CAUTION:

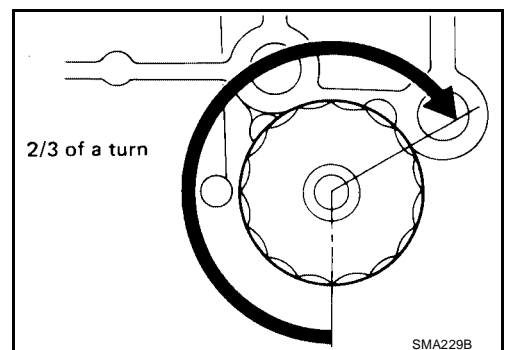
- The oil filter is provided with a relief valve. Use a Genuine NISSAN oil filter.
 - Be careful not to get burned when the engine and engine oil are hot.
 - When draining the oil, use a shop cloth to absorb any oil leaks and spills.
 - Do not allow engine oil to contaminate the drive belts.
 - Wipe off any oil that spills on the engine and vehicle.
3. Clean the oil filter mounting surface on the oil cooler.
 - Coat the rubber seal of new oil filter with new engine oil as shown.



4. Screw the oil filter manually until it touches the engine block sealing surface, then tighten the oil filter by turning it another 2/3 turn, or tighten to specification using Tool.

Oil filter : 14.7 - 20.5 N·m (1.5 - 2.1 kg·m, 11 - 15 ft·lb)

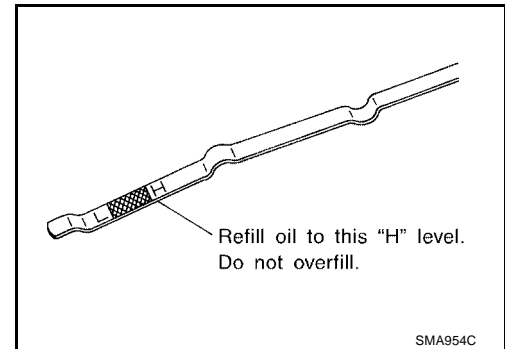
Tool number : KV10115801 (J-38956)



A
B
C
D
E
F
G
H
I
J
K
MA
M

ENGINE MAINTENANCE

5. After running the engine at idle until it warms up, check for engine oil leaks and correct as necessary.
6. Install the splash shield.
7. Check the engine oil level using the dipstick as shown.



Changing Spark Plugs (Platinum - Tipped Type) REMOVAL

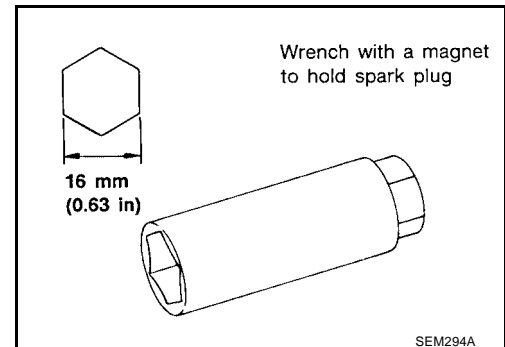
ELS0017C

1. Remove the engine cover, using power tool.
2. Drain engine coolant. Refer to [MA-14, "DRAINING ENGINE COOLANT"](#) .
3. Disconnect the mass air flow sensor electrical connector and remove the air cleaner assembly and air intake tubes. Refer to [EM-16, "Removal and Installation"](#) .
4. Remove the intake manifold collector, gasket, and electric throttle control actuator. Refer to [EM-18, "Removal and Installation"](#) .
5. Remove the six ignition coils.

CAUTION:

Do not shock it.

6. Remove the six spark plugs using a suitable tool.
 - If replacing the spark plugs use the correct spark plug for maximum performance. Refer to [MA-18, "Changing Spark Plugs \(Platinum - Tipped Type\)"](#) .



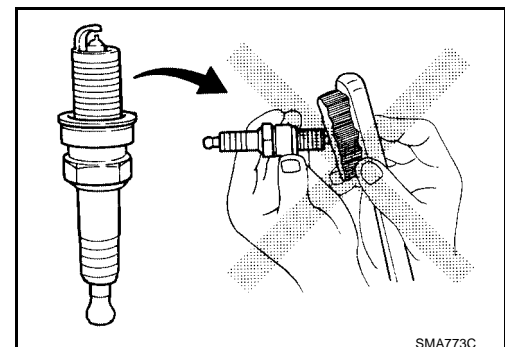
INSPECTION AFTER REMOVAL

Do not use a wire brush for cleaning.

Cleaner air pressure : less than 588 kPa (6 kg/cm² ,
85 psi)

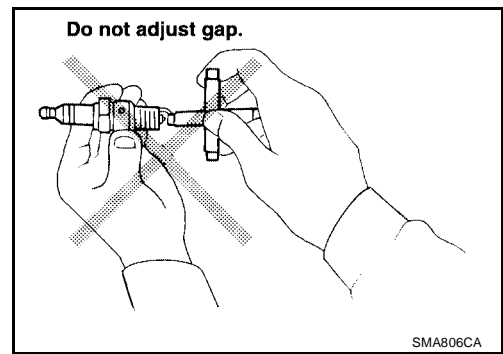
Cleaning time : less than 20 seconds

If plug tip is covered with carbon, a spark plug cleaner may be used.



ENGINE MAINTENANCE

Checking and adjusting plug gap is not required between change intervals.



INSTALLATION

Installation is in the reverse order of removal. For torque specifications, refer to [EM-38, "SPARK PLUG \(PLATINUM-TIPPED TYPE\)"](#).

- Use standard type spark plug for normal driving conditions.
- The hot type spark plug is suitable when fouling occurs with the standard type spark plug under conditions such as:
 - Frequent engine starts
 - Low ambient temperatures
- The cold type spark plug is suitable when engine spark knock occurs with the standard type spark plug under conditions such as:
 - Extended highway driving
 - Frequent high engine revolution

Spark Plug Types

Make	NGK
Standard type	PLFR5A-11
Hot type	PLFR4A-11
Cold type	PLFR6A-11
Gap (nominal)	1.1 mm (0.043 in)

Checking EVAP Vapor Lines

ELS0017D

1. Visually inspect the EVAP vapor lines for cracks, damage, loose connections, chafing, and deterioration. Replace the lines as necessary.
2. Inspect the fuel tank filler cap vacuum relief valve for clogging and sticking. Fix or replace as necessary.

CHASSIS AND BODY MAINTENANCE

PFP:00100

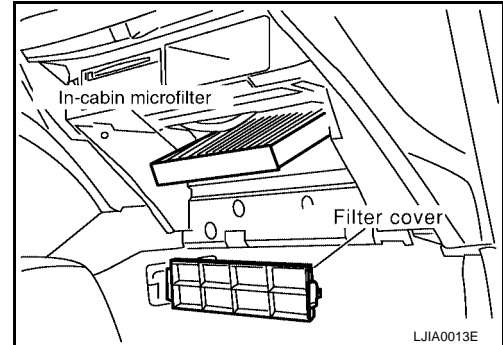
Changing In-cabin Microfilter

ELS00105

1. Remove the glove box pins. Refer to [JP-15, "Glove Box Assembly and Housing"](#).
2. Press in the sides of the glove box door to release the glove box door from the glove box housing.
3. Disconnect the glove box damper cord to remove the glove box door.
4. Disengage the two filter cover tabs to remove the filter cover.
5. Remove the in-cabin microfilter from the blower unit.
6. Install the new in-cabin microfilter into the blower unit.

CAUTION:

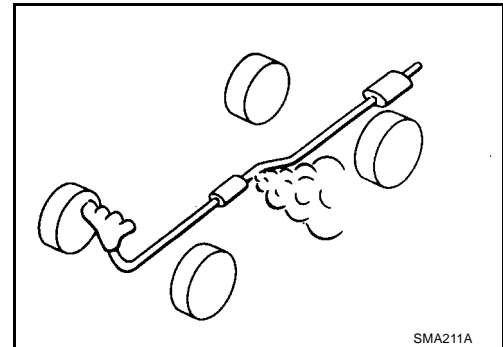
- Insert the new filter with the "UP" arrow in the correct orientation.
 - Insert the new filter with the "UP" arrow side of the filter facing the rear of the vehicle.
7. Install the filter cover on the blower unit.
 8. Connect the glove box damper cord to the glove box door.
 9. Press in the sides of the glove box door to install the glove box door into the glove box housing.
 10. Install the glove box pins.



Checking Exhaust System

ELS0017E

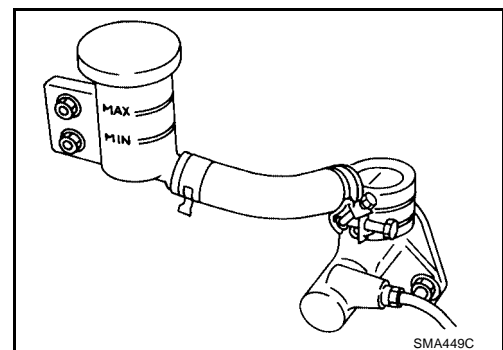
Check the exhaust pipes, muffler, and exhaust mounts for improper attachment, leaks, cracks, damage, chafing, or deterioration.



Checking Clutch Fluid Level and Leaks

ELS0017F

If the clutch fluid level is extremely low or below the "MIN" level in the reservoir, check the clutch system for leaks.



Checking M/T Oil OIL LEAKAGE AND OIL LEVEL

ELS0017G

1. Check that there is not any oil leaking from the transaxle.
2. Remove the speedometer pinion gear.

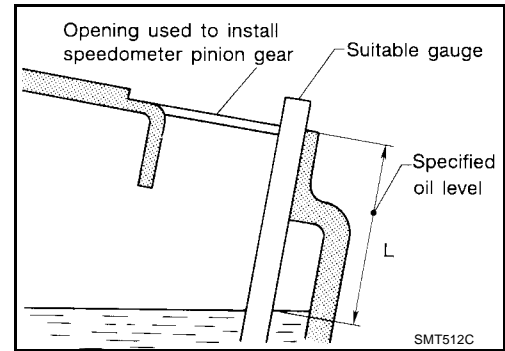
CHASSIS AND BODY MAINTENANCE

3. Measure the oil level using a suitable gauge as shown, and check if the measured gauge level is within the specifications "L".

Oil level "L" : 49 - 55 mm (1.93 - 2.17 in)

CAUTION:

Never start the engine while checking the oil level.



4. Set a new O-ring on the speedometer pinion gear and install it in the transaxle case.

Speedometer pinion gear : 4.9 - 6.8 N-m (0.5 - 0.7 kg-m, 43 - 61 in-lb)

CAUTION:

Do not reuse the O-ring.

Changing M/T Oil DRAINING

ELS0017H

1. Start the engine and let it run to warm up the oil.
2. Stop the engine. Remove the drain plug and drain the oil.
3. Set a new gasket on the drain plug and install it in the transaxle case.

Drain plug : 30 - 39 N-m (3.1 - 4.0 kg-m, 23 - 28 ft-lb)

CAUTION:

Do not reuse the gasket.

FILLING

1. Remove the speedometer pinion gear. Fill the transaxle with new oil.

Oil grade and capacity : Refer to [MA-9, "Fluids and Lubricants"](#) .

2. After refilling the transaxle with oil, check the oil level. Assemble a new O-ring on the speedometer pinion gear, then install it in the transaxle case.

Speedometer pinion gear : 4.9 - 6.8 N-m (0.5 - 0.7 kg-m, 43 - 61 in-lb)

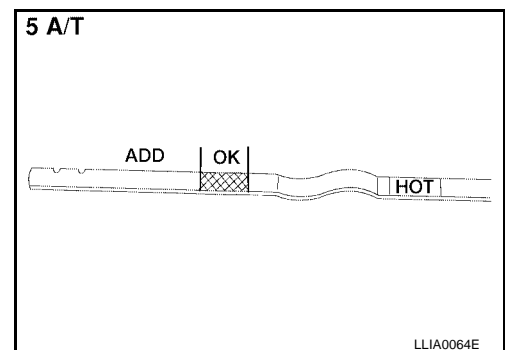
CAUTION:

Do not reuse the O-ring.

Checking A/T Fluid

ELS0017I

1. Warm up the engine.
2. Check for any transaxle fluid leaks.
3. Before driving, the fluid level can be checked at fluid temperatures of 30° - 50°C (86° - 122°F) using the "COLD" range on the A/T fluid level gauge.



- a. Park the vehicle on a level surface and set parking brake.
- b. Start the engine and move the transaxle selector lever through each gear position. Leave the selector lever in the "P" park position.

CHASSIS AND BODY MAINTENANCE

- c. Check the fluid level with the engine idling.
- d. Remove the A/T fluid level gauge and wipe it clean with a lint-free paper.
- e. Re-insert the A/T fluid level gauge into the charging pipe as far as it will go.
- f. Remove the A/T fluid level gauge and note the reading. If the reading is at or below the low side of the range, add the necessary specified A/T fluid through the A/T fluid charging pipe.

CAUTION:

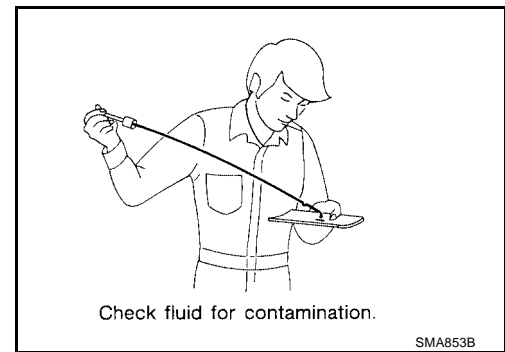
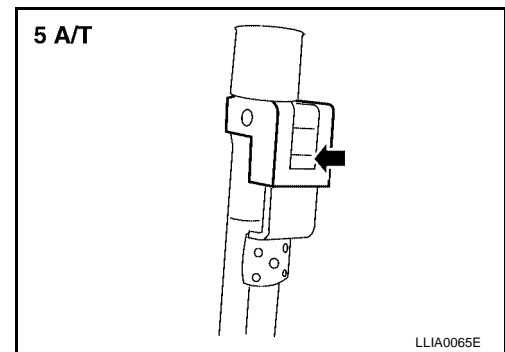
Do not overfill the transaxle.

4. Drive the vehicle for approximately 5 minutes at moderate speeds.
5. Re-check the fluid level at fluid temperatures of 50° - 80°C (122° - 176°F) using the "HOT" range on the A/T fluid level gauge.

CAUTION:

Firmly fix the A/T fluid level gauge into the A/T fluid charging pipe using the attached stopper, this will provide an accurate reading on the gauge, and will keep the gauge in position while driving.

6. Check the fluid for the following conditions:
 - If the fluid is very dark or smells burned, refer to the AT section for checking the operation of the transaxle. Flush the AT fluid cooling system after repairing the transaxle.

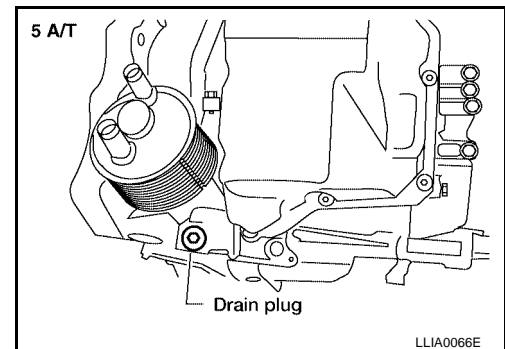


Changing A/T Fluid

ELS0017J

1. Run the engine to warm up the transaxle until the fluid is at full operating temperature of 50° - 80°C (122° - 176°F).
2. Stop the engine.
3. Drain the A/T fluid by removing the drain plug. Reinstall the drain plug to the specified tightness using a new drain washer.

Drain plug : 23.5 - 54.9 N-m (2.4 - 5.5 kg-m, 18 - 40 ft-lb)



4. Refill the transaxle with new specified A/T fluid through the A/T fluid charging pipe. Always refill the transaxle with the same volume amount that was drained out.

CAUTION:

Do not overfill the transaxle.

Fluid grade and capacity : Refer to [MA-9, "RECOMMENDED FLUIDS AND LUBRICANTS"](#) .

5. Run the engine at idle speed for five minutes.
6. Check fluid level and condition. Refer to [MA-21, "Checking A/T Fluid"](#) . If the fluid is still contaminated, repeat step 2 through 5.

Balancing Wheels (Bonding Weight Type)

REMOVAL

1. Remove the inner and outer balance weights from the road wheel.

CAUTION:

Be careful not to scratch the road wheel during removal.

2. Use a releasing agent to remove the double-faced adhesive tape from the road wheel.

CAUTION:

- **Be careful not to scratch the road wheel during removal.**
- **After removing the double-faced adhesive tape, wipe off any traces of the releasing agent from the road wheel.**

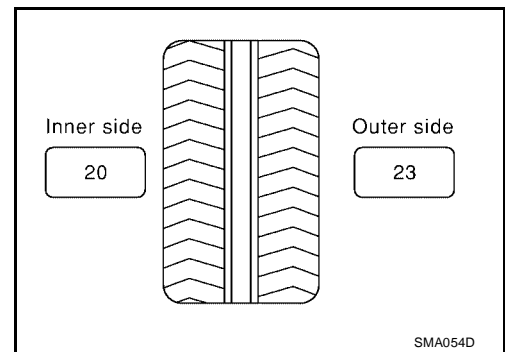
WHEEL BALANCE ADJUSTMENT

NOTE:

If a tire balance machine has an adhesion balance weight mode setting and drive-in weight mode setting, select and adjust in the drive-in weight mode suitable for the road wheels.

1. Set the road wheel on the wheel balancer using the center hole as a guide. Start the tire balance machine.

2. When the inner and outer unbalance values are shown on the wheel balancer indicator, multiply outer unbalance value by 1.6 to determine balance weight that should be used. Select the outer balance weight with a value closest to the calculated value, then install it at the designated outer position of, or at the designated angle position on the road wheel.



CAUTION:

- **Do not install the inner balance weight before installing the outer balance weight.**
- **Before installing the balance weight, be sure to clean the mating surface of the road wheel.**

Balance weight calculation:

Indicated unbalance value $\times 5/3 =$ outer balance weight

Calculation example:

23 g (0.81 oz) $\times 5/3 = 38.33$ g (1.35 oz) = 40 g (1.41 oz) outer balance weight (closer to calculated balance weight value)

NOTE:

The selected balance weight value must be the closest balance weight available to the calculated balance weight value.

Example:

37.4 = 35 g (1.23 oz)

37.5 = 40 g (1.41 oz)

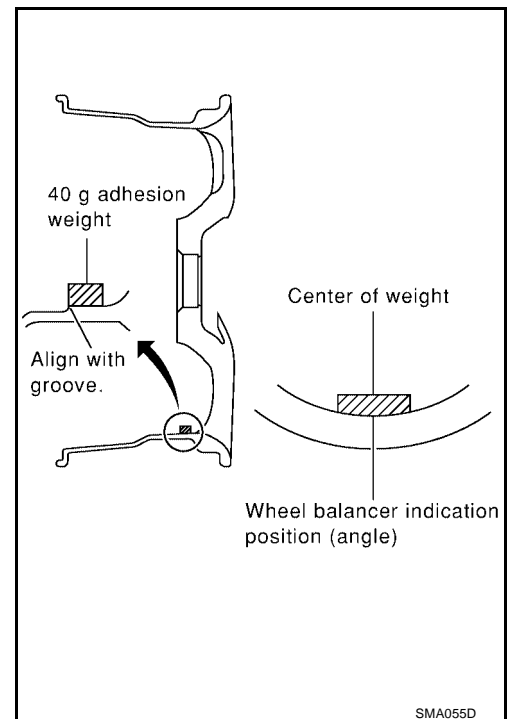
A
B
C
D
E
F
G
H
I
J
K
MA
M

CHASSIS AND BODY MAINTENANCE

- a. Install the balance weight in the position as shown.
- b. When installing the balance weight to the road wheels, set it into the grooved area on the inner wall of the road wheel as shown, so that the balance weight center is aligned with the wheel balancer indication position (angle).

CAUTION:

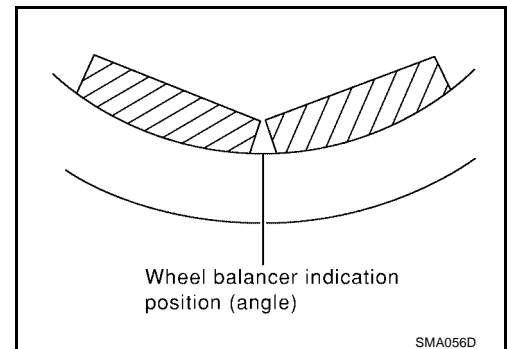
- Always use genuine NISSAN adhesion balance weights.
- Balance weights are not reusable; always replace with new ones.
- Do not install more than three sheets of balance weight.



- c. If calculated balance weight value exceeds 50 g (1.76 oz), install two balance weight sheets in line with each other.

CAUTION:

Do not install one balance weight sheet on top of another.



3. Start the wheel balancer.
 4. Install the drive-in balance weight on the inner side of the road wheel in the wheel balancer indication position (angle).
- CAUTION:**
Do not install more than two balance weights in one position (angle).
5. Start the wheel balancer. Make sure that the inner and outer residual unbalance values are 5 g (0.18 oz) each or less.
 - If either residual unbalance value exceeds 5 g (0.18 oz), repeat the installation procedures.

CHASSIS AND BODY MAINTENANCE

Wheel Balance (Maximum Allowable Unbalance)

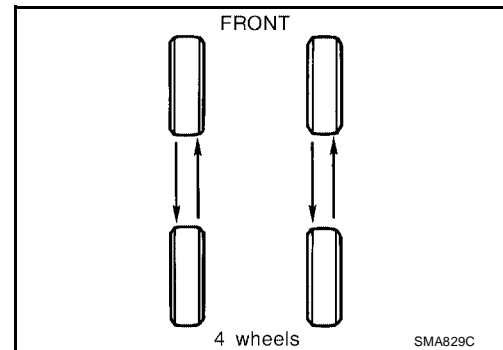
Maximum allowable unbalance	Dynamic (at rim flange)	5 g (0.18 oz) (one side)
	Static	10 g (0.35 oz)

Tire Rotation

ELS0017L

- After rotating the tires as shown, adjust the tire pressure to specification.
- Do not include the T-type spare tire when rotating the tires.
- Retighten the wheel nuts after the vehicle has been driven the first 1,000 km (600 miles). Also retighten the wheel nuts after a flat tire repair, or any type of service where the wheels have been removed and installed.

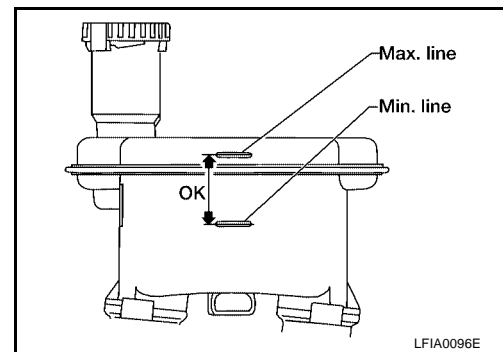
Wheel nuts : 98 - 117 N·m (10 - 12 kg·m, 73 - 86 ft·lb)



Checking Brake Fluid Level and Leaks

ELS0017M

- Check the brake fluid level in the reservoir tank. It should be between the "MAX" and "MIN" lines on the reservoir tank.
- Visually check around the reservoir tank for leaks.
- If the brake fluid level is extremely low or below the "MIN" level, check the brake system for leaks.
- Release the parking brake lever and check that the brake warning lamp goes off. If not, check the brake system for leaks.



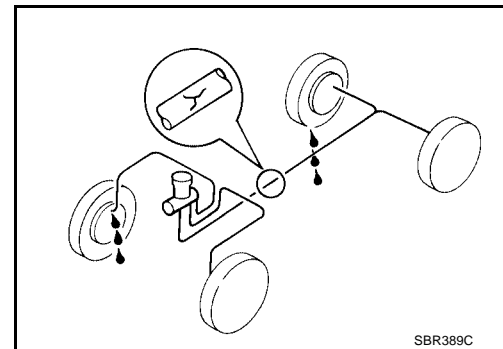
Checking Brake Lines and Cables

ELS0017N

CAUTION:

If leakage occurs around hose and tube connections, retighten or, if necessary, replace damaged parts.

1. Check the brake lines (tubes and hoses) and parking brake cables for improper attachment, leaks, chafing, abrasions, deterioration, and damage. Repair or replace parts as necessary.
2. Apply a stepping force of 784 N (80 kg-f, 176 lb-f) to the brake pedal with the engine running and keep it for about 5 seconds, then check each part for leaks.



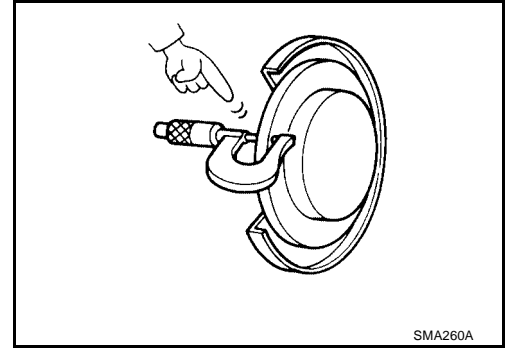
A
B
C
D
E
F
G
H
I
J
K
MA
M

CHASSIS AND BODY MAINTENANCE

ELS00170

Checking Disc Brake ROTOR

Check the rotor condition and thickness. Resurface or replace the rotor as necessary.



SMA260A

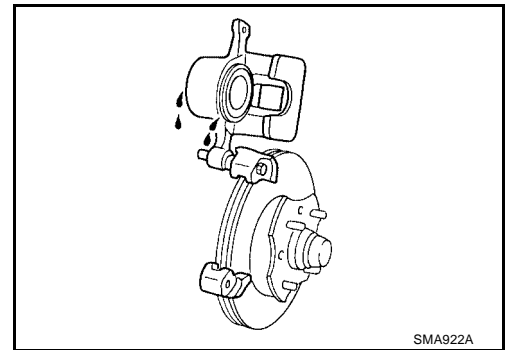
Brake Rotor Specifications

Unit: mm (in)

	Front	Rear
Brake model	CLZ25VE	AD9A
Standard thickness	28.0 (1.10)	9 (0.35)
Maximum runout	0.07 (0.0028)	0.05 (0.0020)
Minimum thickness (Wear limit)	26.0 (1.02)	8.0 (0.31)

CALIPER

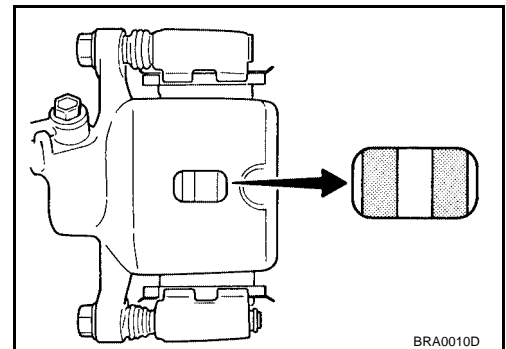
Check the caliper for leaks.



SMA922A

PAD

Check the brake pads for wear or damage.



BRA0010D

Brake Pad Specifications

Unit: mm (in)

	Front brake pad	Rear brake pad
Brake model	CLZ25VE	AD9A
Standard thickness	9.5 (0.37)	8.5 (0.33)
Minimum thickness (wear limit)	2.0 (0.079)	2.0 (0.079)

CHASSIS AND BODY MAINTENANCE

ELS0017P

Checking Steering Gear and Linkage

STEERING GEAR

- Check the gear housing and boots for looseness, damage and power steering fluid leaks.
- Check the power steering hose connections for leaks.
- Check the steering column for looseness.

STEERING LINKAGE

Check the ball joint, dust cover and other component parts for looseness, wear, damage and grease leakage.

Checking Power Steering Fluid and Lines

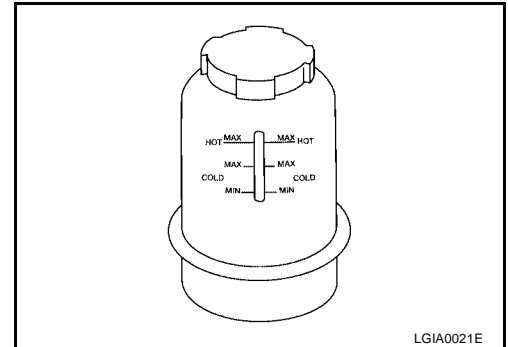
ELGIA0021E

Check the power steering fluid level in the reservoir tank with the engine off.

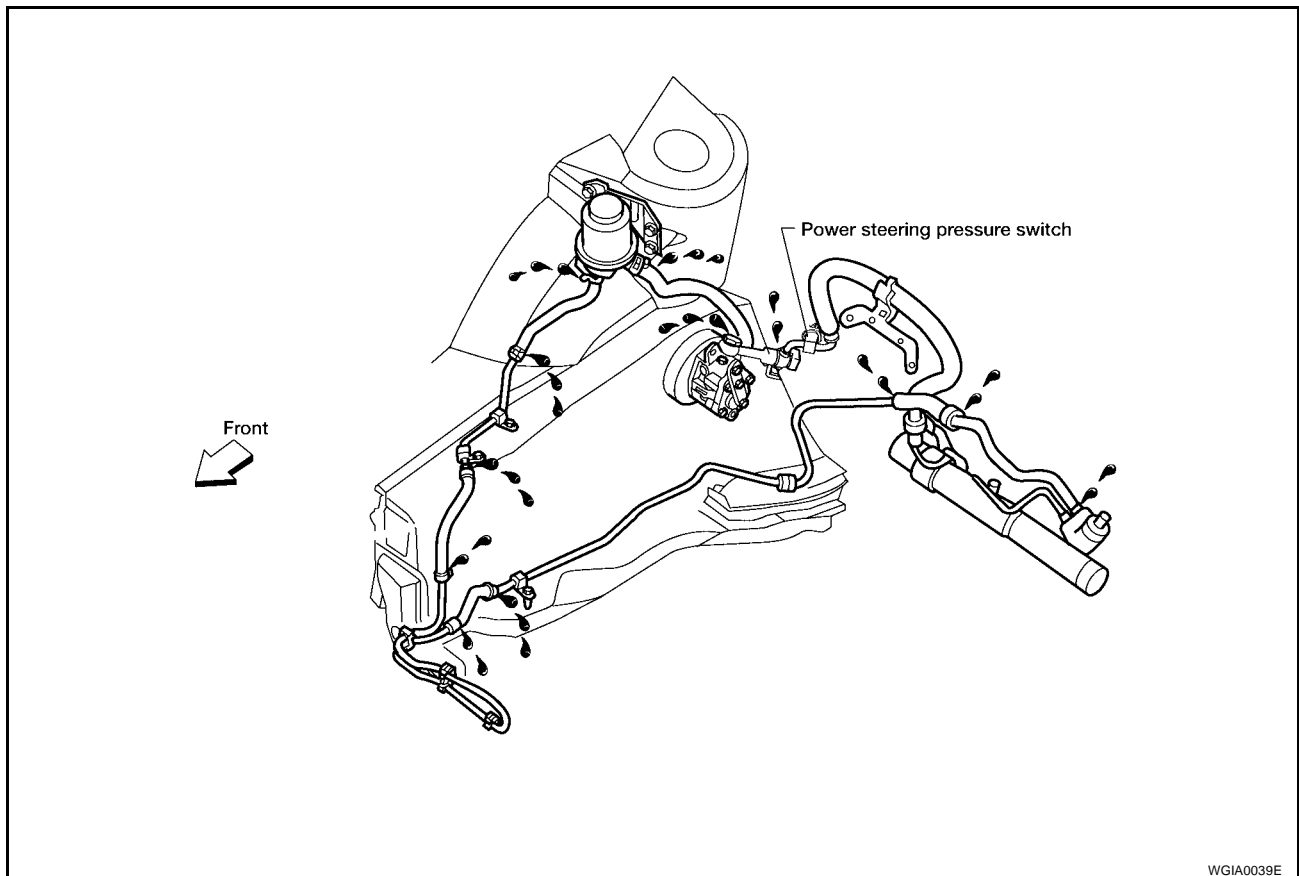
Use the "HOT" range at fluid temperatures of 50° - 80°C (122° - 176°F) or the "COLD" range at fluid temperatures of 0° - 30°C (32° - 86°F).

CAUTION:

- Do not overfill the power steering reservoir tank.
- Use the recommended power steering fluid, Genuine NISSAN PSF or equivalent. Refer to [MA-9, "Fluids and Lubricants"](#) .



Check the power steering hoses for improper attachment, leaks, cracks, damage, loose connections, chafing and deterioration.



1. Run the engine between idle speed and 1,000 rpm. Make sure the temperature of the power steering fluid in the reservoir tank rises to 60° to 80°C (140° to 176°F).
2. Turn the steering wheel right-to-left several times.
3. Hold the steering wheel at each lock position for five seconds and carefully check for fluid leaks.

A
B
C
D
E
F
G
H
I
J
K
MA
M

CHASSIS AND BODY MAINTENANCE

CAUTION:

Do not hold the steering wheel in a locked position for more than 15 seconds.

4. If fluid leaks at the connectors is noted, loosen the flare nut and then retighten it.

CAUTION:

Do not overtighten the connector as this can damage the O-ring, washer, and connector.

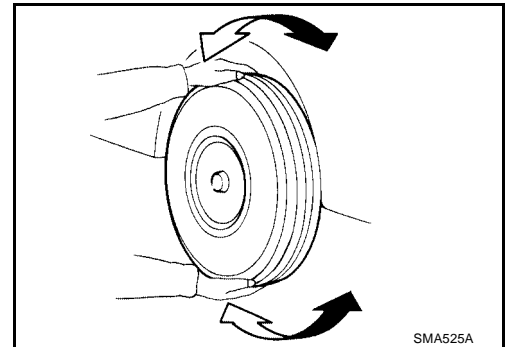
5. If fluid leaks from the power steering pump are noted, check the power steering oil pump. Refer to [PS-30, "Inspection After Disassembly"](#).
6. Check the steering gear boots for accumulation of power steering fluid indicating a steering gear leak.

Axle and Suspension Parts

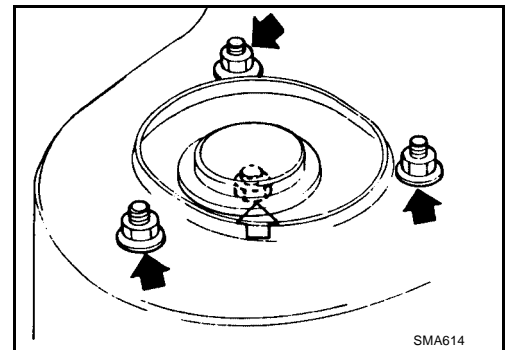
ELS0017R

Check the front and rear axle and suspension parts for excessive play, cracks, wear, or other damage.

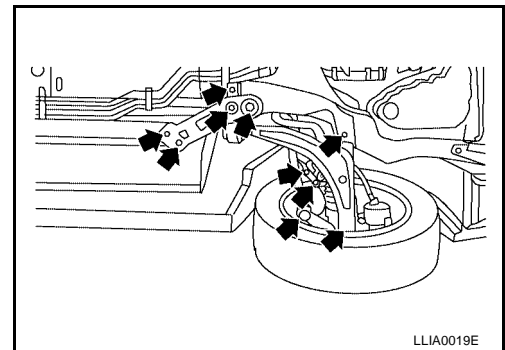
- Shake each wheel as shown to check for excessive play.
- Rotate each wheel to check for abnormal noise.



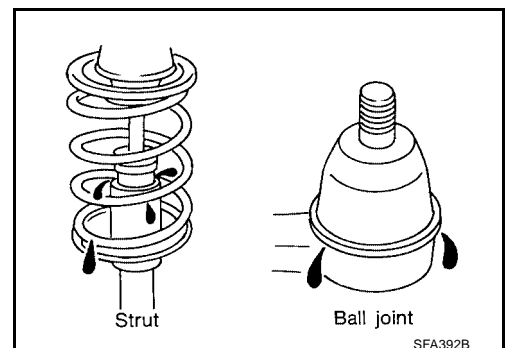
- Check the strut mount nuts for looseness.



- Check the axle and suspension nuts and bolts for looseness.



- Check the struts for oil leakage or other damage.
- Check suspension ball joint for grease leakage and ball joint dust cover for cracks or other damage.

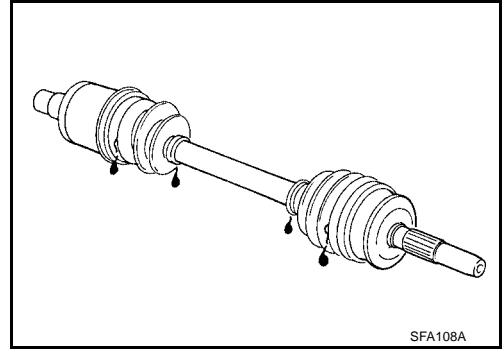


CHASSIS AND BODY MAINTENANCE

Drive Shaft

ELS0017S

- Check the boot and drive shaft for cracks, wear, damage and grease leakage as shown.



A

B

C

D

E

F

G

H

I

J

K

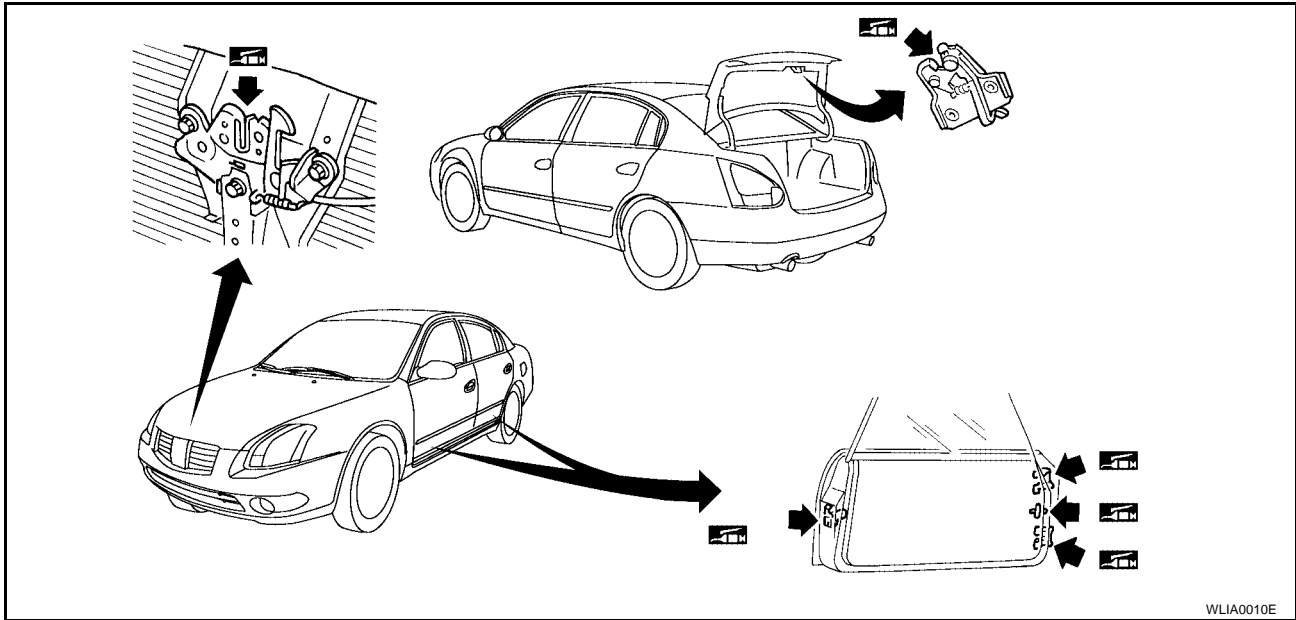
MA

M

CHASSIS AND BODY MAINTENANCE

Lubricating Locks, Hinges and Hood Latch

ELS0017T



WLIA0010E

Checking Seat Belts, Buckles, Retractors, Anchors and Adjusters

ELS0017U

CAUTION:

- After any collision, inspect all seat belt assemblies, including retractors and other attached hardware (i.e. anchor bolt, guide rail set). Nissan recommends to replace all seat belt assemblies in use during a collision, unless not damaged and properly operating after minor collision. Also inspect seat belt assemblies not in use during a collision, and replace if damaged or improperly operating. Seat belt pre-tensioner should be replaced even if the seat belts are not in use during a frontal collision where the driver and passenger air bags are deployed.
- If any component of seat belt assembly is questionable, do not repair. Replace as seat belt assembly.
- If webbing is cut, frayed, or damaged, replace belt assembly.
- Never oil tongue and buckle.
- Use a genuine NISSAN seat belt assembly.

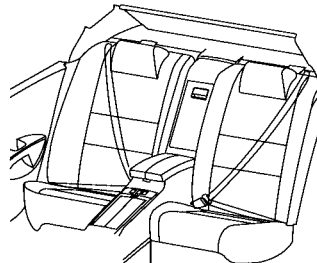
For details, refer to "Seat Belt Inspection" in SB section.

Anchor bolt

43.1 – 54.9 (4.4 – 5.5, 32 – 40)

N·m (kg·m, ft·lb)

4 Passenger

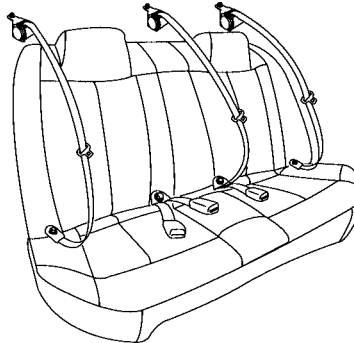


Check anchors for loose mounting

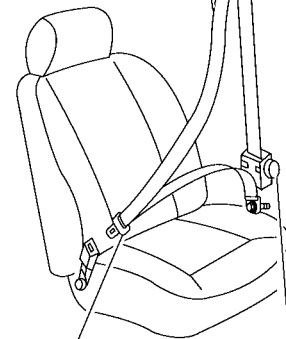
43.1 – 54.9 (4.4 – 5.5, 32 – 40)

Check belts for damage

5 Passenger



Check function of buckles and tongues when buckled and released



Check retractor for smooth operation

WLIA0011E